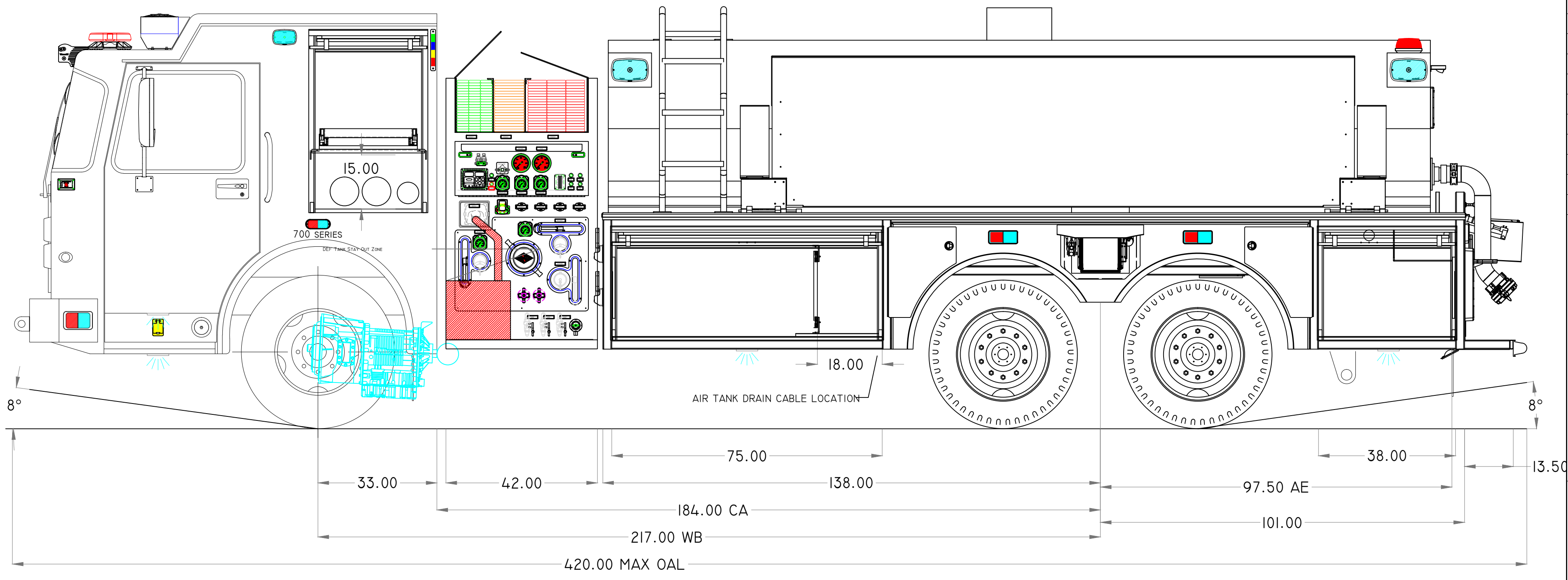
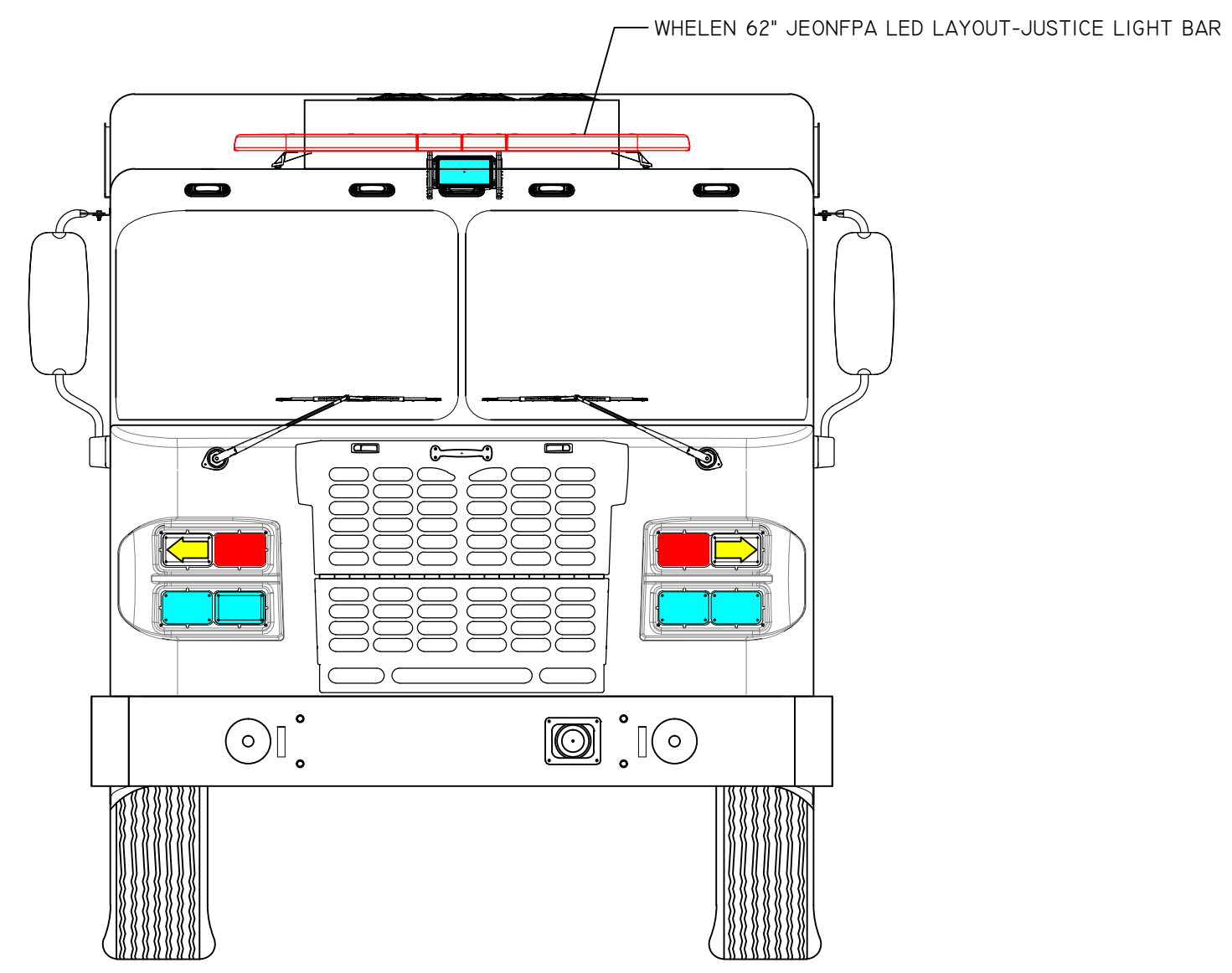


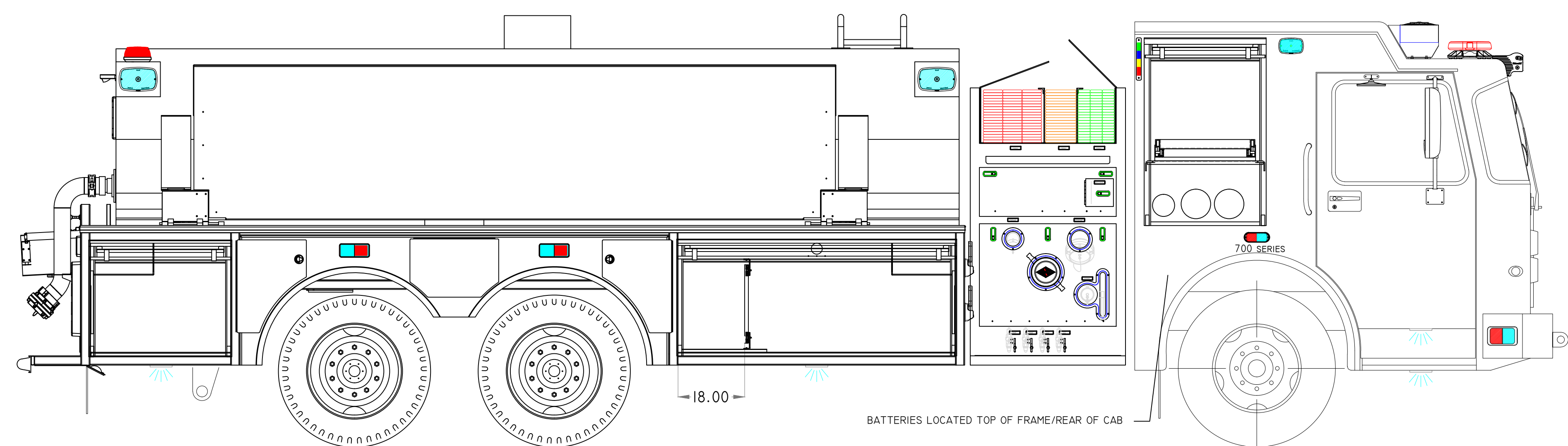
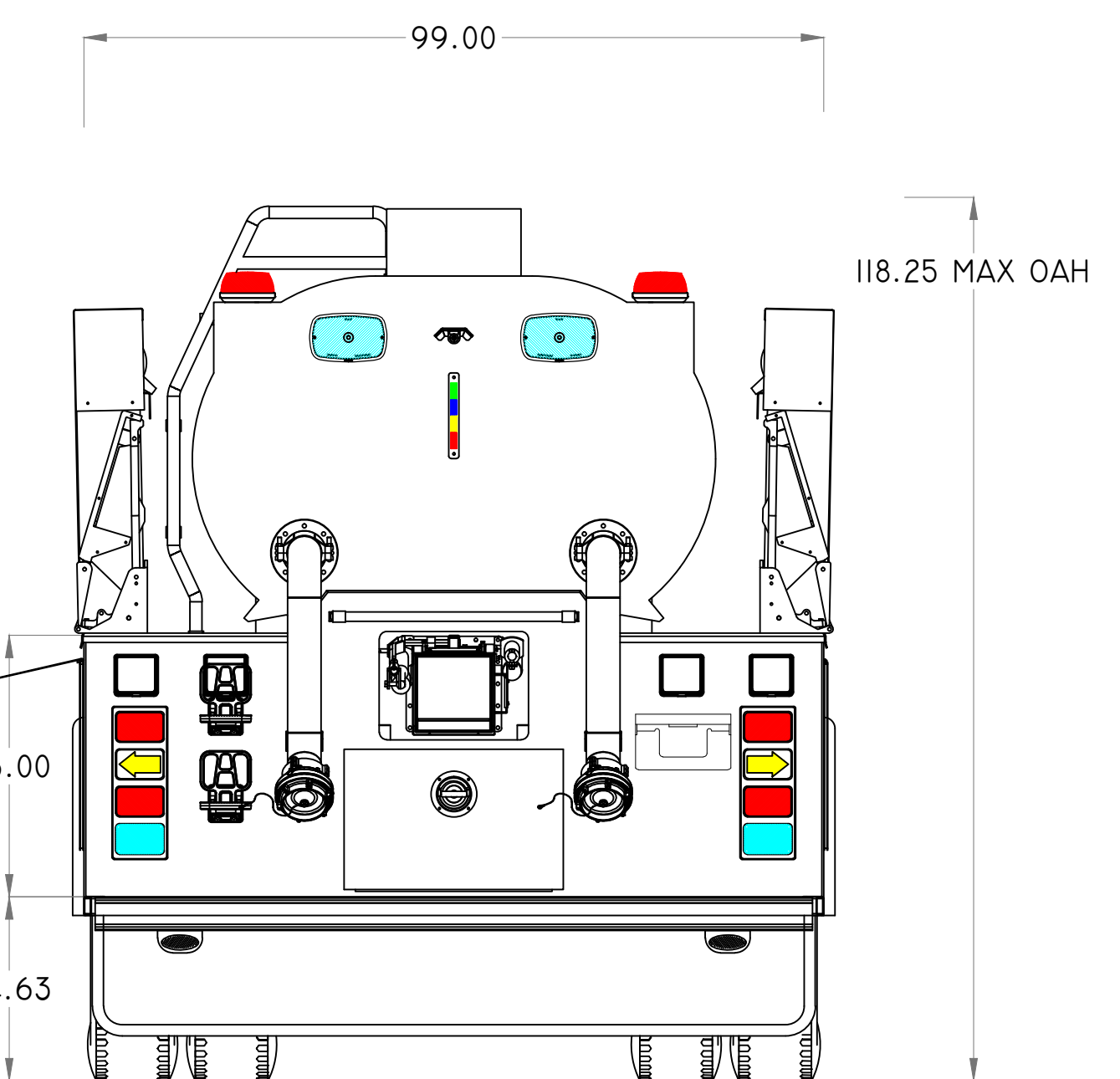
CHASSIS: SPARTAN METRO STAR LTD 10RR
 ENGINE: CUMMINS ISL 450HP
 TRANSMISSION: ALLISON 3000 EVS
 AXLES: 21,500# FRONT / 44,000# REAR
 MODEL: STAR ELLIPTICAL TANKER
 WATER/FOAM: 3000 GALLONS
 PUMP: HALE DSD 1250GPM
 FOAM SYSTEM: N/A
 GENERATOR: N/A



DOOR FRAMED OPENINGS

COMPARTMENT	DOOR FRAMED OPENING
L1	75.0-W x 30.0-H
L2	38.0-W x 30.0-H
R1	75.0-W x 30.0-H
R2	38.0-W x 30.0-H

SPECIAL NOTES:



CUSTOMER
 THIS DRAWING IS A CLOSE APPROXIMATION OF YOUR FIRE APPARATUS. IN ALL CASES WHERE THE DRAWING AND THE WRITTEN SPECIFICATION DIFFER, THE SPECIFICATION SHALL PREVAIL. PLEASE WORK WITH YOUR DEALER TO ASSURE THAT THE WRITTEN SPECIFICATION REPRESENTS WHAT YOU WANT IN YOUR FINISHED PRODUCT. SPARTAN ERV BUILDS TO THE WRITTEN SPECIFICATION, NOT THE DRAWING TO ASSURE THAT YOUR NEEDS ARE MET.

PROPRIETARY AND CONFIDENTIAL
 THE INFORMATION CONTAINED IN THIS DRAWING IS THE SOLE PROPERTY OF SPARTAN ERV. ANY REPRODUCTION IN PART OR AS A WHOLE WITHOUT THE WRITTEN PERMISSION OF SPARTAN ERV IS PROHIBITED. SPARTAN MOTORS USA, INC. D/B/A SPARTAN ERV

REV	DATE	DESCRIPTION	NAME
7	03/26/16	BUILD UPDATES	MH/cs/SB
6	01/28/16	CROSSLAYS	KJS
5	01/15/16	MARKUPS	KJS
4	11/17/15	COA/B	KJS
3	11/9/15	COA - PER KIM S	CS
2	11/9/15	COA	CS/KD/
1	06/30/15	REQUESTED CHANGES	M.G.H.
0	06/23/15	INITIAL PROPOSAL	JLA

SCALE: NOT TO SCALE
 CUSTOMER: **MANSFIELD FIRE DEPARTMENT**

TRUCK NUMBER: 215101
 DEALER: C & S SPECIALTY